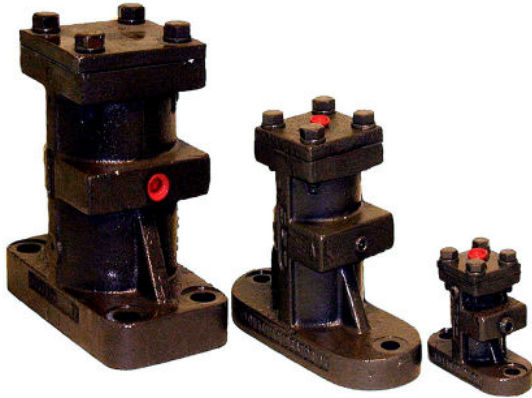


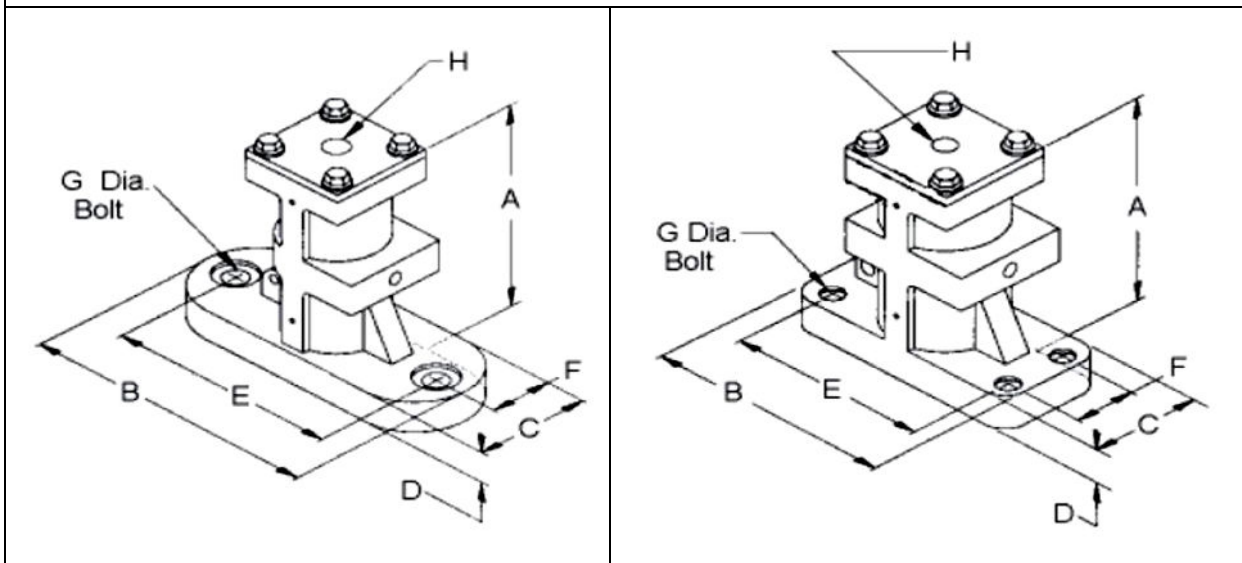
DataSheet

Linear Impacting Vibrator - BV



- Linear Vibrator
- Continuous running or single impact
- Force 330 N to 26050 N
- Suitable for temperature up to 80°C

DIMENSIONS



Models BV 112, 150 and 225

Models BV 312, 425 and 650

| MODEL | A mm | B mm | C mm | D mm | E mm | F mm | G mm | H BSP | Piston Diameter mm | Weight Kgs | Hopper Wall mm | Capacity in Sloping Section |
|--------|---------|---------|---------|---------|---------|---------|---------|----------|--------------------------|---------------|----------------------|--------------------------------|
| BV 112 | 95.25 | 114.3 | 50.8 | 12.7 | 88.9 | 25.4 | 12.7 | 1/4" | 28 | 1.8 | 1.5 - 3.0 | 0.15 m ³ |
| BV 150 | 139.7 | 152.4 | 63.5 | 19.0 | 114.3 | 31.7 | 12.7 | 1/4" | 38 | 4.1 | 1.5 - 3.0 | 0.4 m ³ |
| BV 225 | 184.1 | 228.6 | 88.9 | 25.4 | 190.5 | 44.4 | 15.8 | 1/4" | 57 | 9.5 | 4.0 - 6.0 | 1.7 m ³ |
| BV 312 | 241.3 | 241.3 | 127.0 | 34.9 | 196.8 | 82.5 | 22.2 | 3/8" | 80 | 24.0 | 6.0 - 10.0 | 8 m ³ |
| BV 425 | 304.8 | 355.6 | 152.6 | 38.1 | 304.8 | 101.6 | 25.4 | 1/2" | 108 | 44.4 | 10.0 - 12.5 | 35 m ³ |
| BV 650 | 508.0 | 355.6 | 254.0 | 50.8 | 279.4 | 177.8 | 38.1 | 1/2" | 165 | 176.0 | 10.0 & Up | 200 m ³ |



PERFORMANCE DATA

SINGLE IMPACTING FORCE

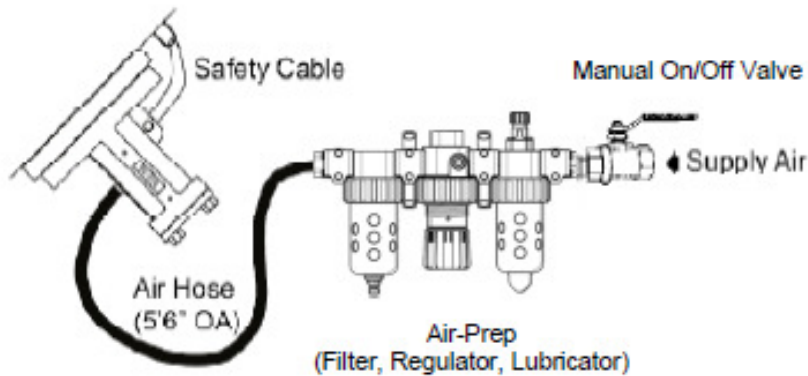
| MODEL | 2 Bar | | 4 Bar | | 6 Bar | |
|--------|-------|--------|-------|--------|-------|--------|
| | kgs/m | n/m | kgs/m | n/m | kgs/m | n/m |
| BV 112 | 0.15 | 1.47 | 0.29 | 2.84 | 0.44 | 4.31 |
| BV 150 | 0.69 | 6.77 | 1.38 | 13.53 | 2.08 | 20.40 |
| BV 225 | 0.97 | 9.51 | 4.01 | 9.81 | 5.98 | 58.64 |
| BV 312 | 5.67 | 55.60 | 11.35 | 111.40 | 16.88 | 165.54 |
| BV 425 | 21.18 | 207.71 | 42.21 | 413.94 | 62.00 | 608.12 |
| BV 650 | 29.89 | 293.31 | 59.79 | 586.34 | 89.68 | 879.46 |

CONTINUOUS IMPACTING

| MODEL | 2 Bar (30 PSI) | | | | 4 Bar (60 PSI) | | | | 6 Bar (88 PSI) | | | |
|--------|----------------|----------|-----------|------------|----------------|----------|-----------|------------|----------------|----------|-----------|------------|
| | Force kgs | Force kN | Freq. RPM | Air L/ min | Force kgs | Force kN | Freq. RPM | Air L/ min | Force kgs | Force kN | Freq. RPM | Air L/ min |
| BV 112 | 33.1 | 325 | 4450 | 26 | 62.1 | 609 | 6200 | 57 | 97.5 | 956 | 7850 | 126 |
| BV 150 | 62.1 | 609 | 3175 | 52 | 128 | 1255 | 4600 | 98 | 182 | 1784 | 5500 | 166 |
| BV 225 | 144 | 1412 | 2800 | 115 | 235 | 2304 | 3600 | 172 | 318 | 3118 | 4200 | 207 |
| BV 312 | 314 | 3079 | 2175 | 215 | 546 | 5354 | 2900 | 301 | 787 | 7718 | 3500 | 344 |
| BV 425 | 474 | 4648 | 1525 | 221 | 759 | 7443 | 1950 | 373 | 1137 | 11150 | 2400 | 451 |
| BV 650 | 1319 | 12935 | 975 | 708 | 2818 | 27635 | 1425 | 1584 | 4525 | 44375 | 1875 | 2605 |

Kgs/m = Kilo Force.metre, n/m = newton.metre

Typical Installation Air-Schematic



IMPORTANT

It is recommended that a 3/2 Pneumatic Valve is used in installation. Leaflet L1103 Available on request

Visit - www.conspare.com | Call +44 (0)1773 860796 | Email - sales@conspare.com

ConSpare Limited Registered in England No. 10373473
 Castlewood Business Park, Farmwell Lane, Sutton-in-Ashfield, Nottinghamshire. NG17 1BX.
 We reserve the right to modify or withdraw specifications or products without notice or obligation.

