

DataSheet

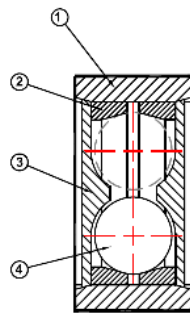
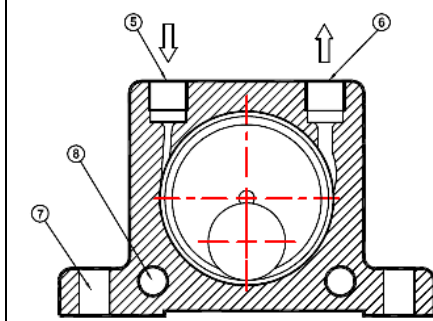
Pneumatic Ball Vibrator - K



- Aluminium Body with Painted Finish
- Anodised Finish available*
- Rotary Vibrator
- 2 Sets of mounting holes
- Frequency / Force adjustable by air pressure
- All Models suitable for temperature up to 100°C
- High Temperature Model K20HT to K36HT Max Temperature 150 °C *
- Noise level 75-95 dB(a) with silencer fitted
- Force 130 N to 4050 N

On request can be supplied with ATEX certification to ATEX 2014/34/EU  II 2 G & D Zone 1, 2 & 21, 22

CONSTRUCTION



Drawing No U/7001

1. Extruded aluminium alloy body
2. Hardened ground steel alloy races
3. Nylon Endplates
4. Hardened lapped ball
5. Air Inlet
6. Air exhaust
7. Base mounting holes
8. Lateral Mounting

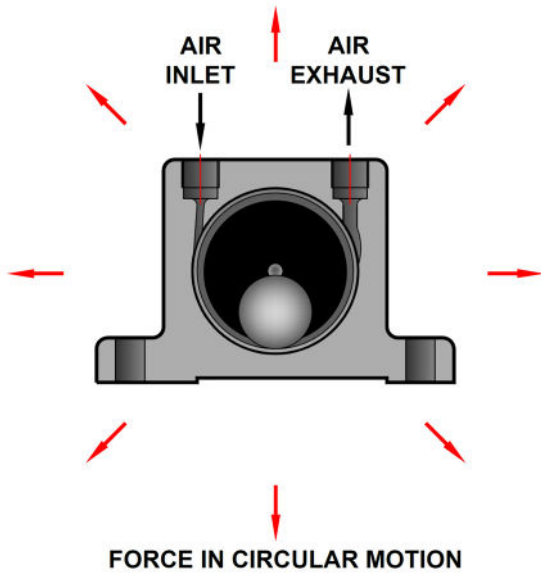
PERFORMANCE DATA

Models			Frequency V.P.M.			Centrifugal Force						Air Consumption / Minute					
Standard Painted	Anodise *	High Temp *	2 Bar	4 Bar	6 Bar	2 Bar	29 PSI	4 Bar	58 PSI	6 Bar	87 PSI	2 Bar	29 PSI	4 Bar	58 PSI	6 Bar	87 PSI
			29 PSI	58 PSI	87 PSI	N	lbs	N	lbs	N	lbs	litr	CF	litr	CF	litr	CF
K08	K08A	-	25500	31000	35000	130	29	260	58	360	81	83	2.9	145	5.1	195	6.9
K10	K10A	-	22500	28000	34000	250	56	470	106	710	160	92	3.2	150	5.3	200	7.1
K13	-	-	15000	18000	22500	320	72	550	124	870	196	94	3.3	158	5.6	225	7.9
K16	-	-	13000	17000	19500	450	101	800	180	1100	248	122	4.3	200	7.1	280	9.9
K20	-	K20HT	10500	14500	16500	720	162	1220	275	1720	387	130	4.6	230	8.1	340	12.0
K25	-	K25HT	9200	12200	14000	930	209	1570	353	2050	461	160	5.6	290	10.2	425	15.0
K30	-	K30HT	7800	9700	12500	1510	340	2470	556	3210	722	215	7.6	375	13.2	570	20.0
K36	-	K36HT	7300	9000	10000	2060	464	3150	709	4050	911	260	9.2	475	16.8	675	24.0

* Anodised and High Temperature Models special Build

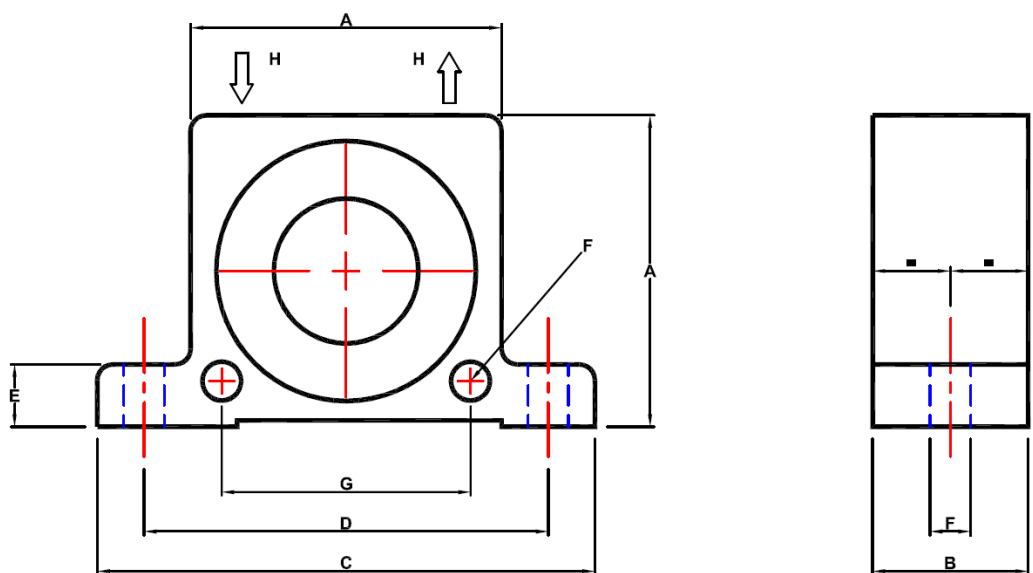


ROTARY PNEUMATIC VIBRATOR



Standard Units K8 to K36 with nylon endplates
 Standard Units Max Temperature 100 °C
 High Temperature Units K20HT to K36HT 150 °C

DIMENSIONS



Drawing No 077002

Models			A		B		C		D		E		F		G		H			Weight	
Standard Painted	Anodised *	High Temp *	mm	inch	mm	inch	mm	inch	mm	inch	mm	inch	mm	inch	mm	inch	BSP	kg	lbs		
K08	K08A	-	50	1.97	20	0.79	86	3.38	68	2.68	12	0.47	7	0.27	40	1.57	1/4"	.130	.29		
K10	K10A	-	50	1.97	20	0.79	86	3.38	68	2.68	12	0.47	7	0.27	40	1.57	1/4"	.130	.29		
K13	-	-	65	2.56	24	0.94	113	4.45	90	3.54	16	0.63	9	0.35	50	1.97	1/4"	.260	.57		
K16	-	-	65	2.56	27	1.06	113	4.45	90	3.54	16	0.63	9	0.35	50	1.97	1/4"	.300	.66		
K20	-	K20HT	80	3.15	33	1.30	128	5.04	104	4.09	16	0.63	9	0.35	60	2.36	1/4"	.530	1.17		
K25	-	K25HT	80	3.15	38	1.50	128	5.04	104	4.09	16	0.63	9	0.35	60	2.36	1/4"	.630	1.39		
K30	-	K30HT	100	3.94	44	1.73	160	6.30	130	5.12	20	0.79	11	0.43	80	3.15	3/8"	1.130	2.49		
K36	-	K36HT	100	3.94	50	1.97	160	6.30	130	5.12	20	0.79	11	0.43	80	3.15	3/8"	1.340	2.95		

Data obtained on a heavy laboratory test block. Frequency and force will decrease on a less rigid mounting while the noise level will increase.

Visit - www.conspare.com | Call +44 (0)1773 860796 | Email - sales@conspare.com

ConSpare Limited Registered in England No. 10373473
 Castlewood Business Park, Farmwell Lane, Sutton-in-Ashfield, Nottinghamshire. NG17 1BX.
 We reserve the right to modify or withdraw specifications or products without notice or obligation.

