

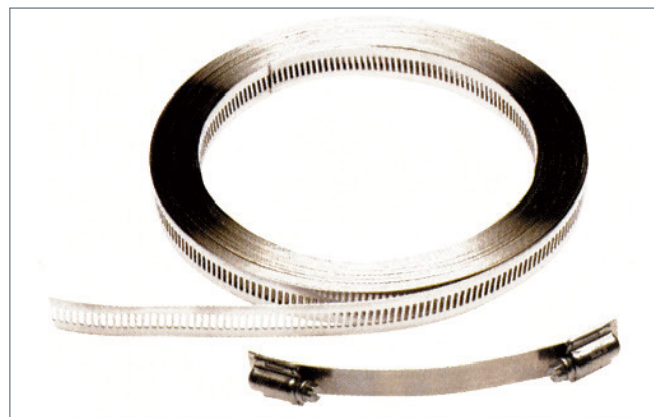
ConSpare

Make it better.

DataSheet

Stainless Steel Banding

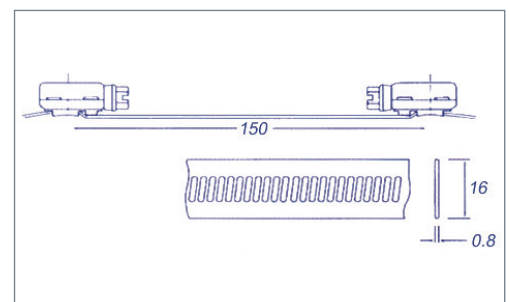
ConSpare supply heavy duty stainless steel banding in a convenient 10mtr roll. By simply cutting the required length from a continuous banding roll and engaging one end into each housing of the connector, a clamp band of the appropriate size is created in seconds. A box of stainless steel banding can help reduce your stock holding, save costly admin associated with ordering specials and ensure you never run out of the right size clip again!



The connectors use 'straight line' housings which ensure that every thread of the screw is fully engaged with the band. This special feature, together with a high tensile band and hardened rolled thread screws, means that our clamp bands have more than twice the strength of ordinary worm drive hose clips.

Heavy duty stainless steel banding has been designed specifically for tough applications where an extra margin for safety and reliability is required. This versatile product outperforms nut and bolt type clamps due to its more uniform tightening which gives higher sealing pressure, whilst fully rounded band edges give the best possible protection to the connecting sleeve.

Stock No.	Description
031547	Stainless Steel Banding - 10mtr roll
031548	Heavy Duty Connectors - Box of 10



Note: Minimum clamp size 65mm dia.

Visit - www.conspare.com | Call +44 (0)1773 860796 | Email - sales@conspare.com

ConSpare Limited Registered in England No. 10373473
Castlewood Business Park, Farmwell Lane, Sutton-in-Ashfield, Nottinghamshire. NG17 1BX.
We reserve the right to modify or withdraw specifications or products without notice or obligation.

